



Automatización Eléctrica
Especialistas en Automatización

At the end of this document you will find links to products related to this catalog. You can go directly to our shop by clicking [HERE](#). [HERE](#)

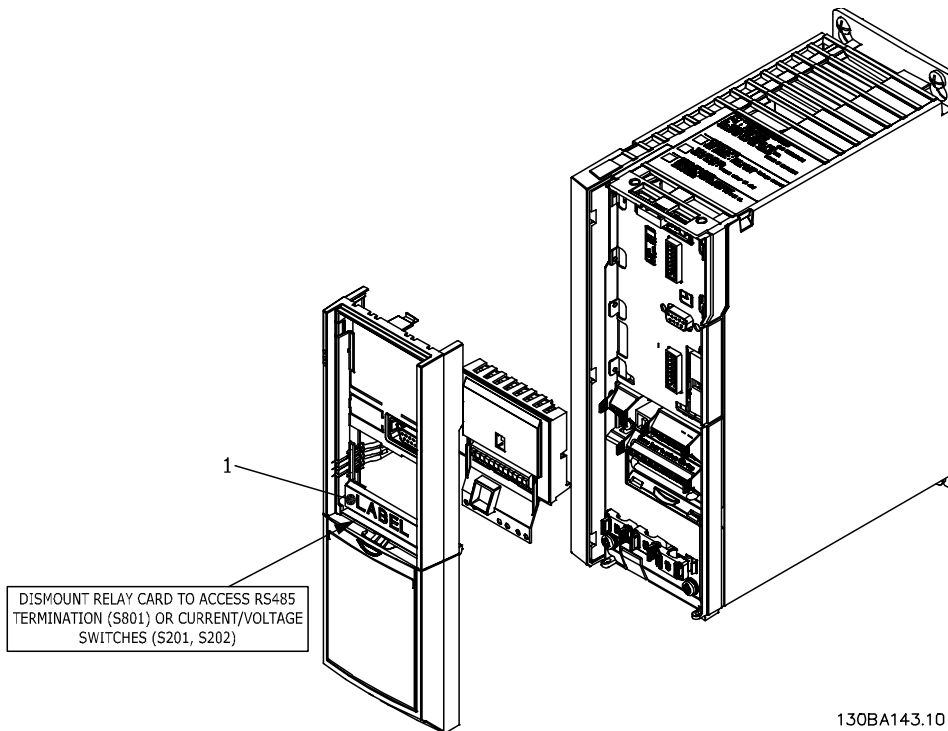
■ **Relay Option MCB 105**

The MCB 105 option includes 3 pieces of change over contacts and can be fitted into option slot B.

Electrical Data:

Max. terminal load (AC).....	240 V AC 2A
Max. terminal load (DC).....	24 V DC 1A
Min. terminal load (DC).....	5 V 10 mA
Max. switching rate at rated load/min load.....	6 min ⁻¹ /20 sec ⁻¹

How to add the MCB 105 option:

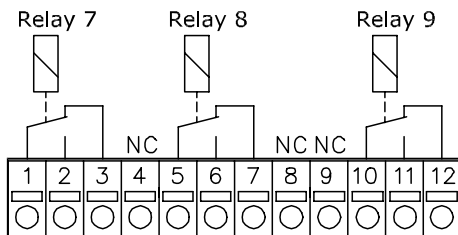


IMPORTANT

1. The label **MUST** be placed on the LCP frame as shown (UL approved).

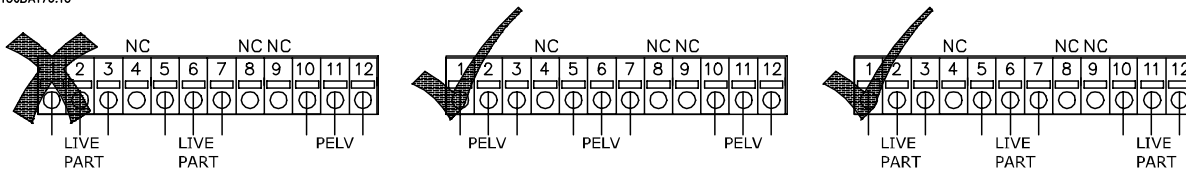
- The power to the frequency converter must be disconnected.
- The power to the livepart connections on relay terminals must be disconnected.
- Remove the LCP, the terminal cover and the cradle from the FC 30x.
- Fit the MCB 105 option in slot B.
- Connect the control cables and relief the cables by the enclosed cable strips.
- Various systems must not be mixed.
- Fit the extended cradle and terminal cover.
- Replace the LCP.
- Connect power to the frequency converter.
- Select the relay functions in par. 5-40 [6-8], 5-41 [6-8] and 5-42 [6-8].

NB (Array [6] is relay 7, array [7] is relay 8, and array [8] is relay 9).

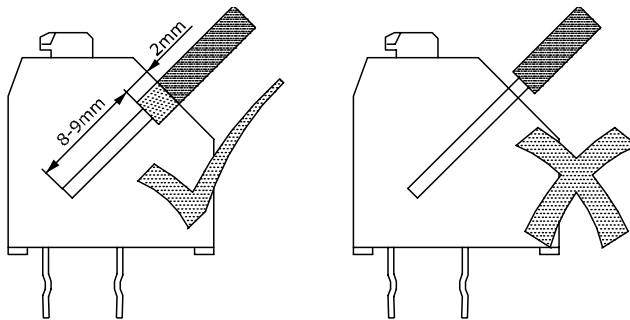


130BA162.10

130BA176.10



Do not combine liveparts and PELV systems.



130BA177.10

Correct wire inserting

Danfoss can accept no responsibility for possible errors in catalogues, brochures and other printed material. Danfoss reserves the right to alter its products without notice. This also applies to products already on order provided that such alterations can be made without subsequential changes being necessary in specifications already agreed. All trademarks in this material are property of the respective companies. Danfoss and the Danfoss logotype are trademarks of Danfoss A/S. All rights reserved.





Below is a list of articles with direct links to our shop Electric Automation Network where you can see:

- Quote per purchase volume in real time.
- Online documentation and datasheets of all products.
- Estimated delivery time enquiry in real time.
- Logistics systems for the shipment of materials almost anywhere in the world.
- Purchasing management, order record and tracking of shipments.

To access the product, [click on the green button.](#)

Product	Code	Reference	Product link
VLT® Relay Option MCB 105, uncoated	130B1110		Buy on EAN
VLT® Relay Option MCB 105, coated	130B1210		Buy on EAN